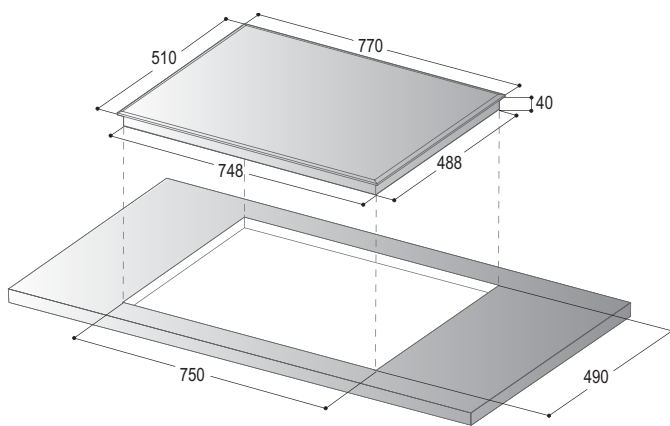


> BTS742PET



Max. Absorption: 7,6 kW

