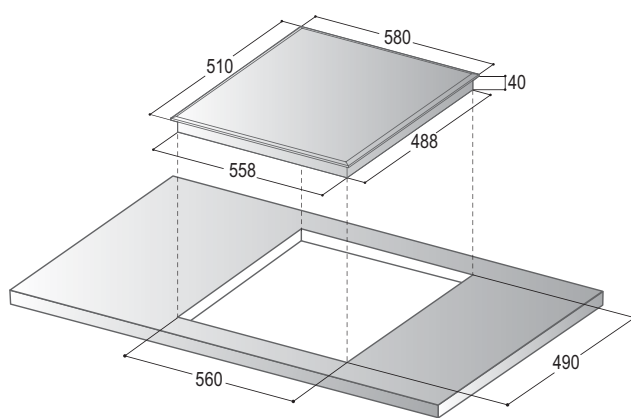


# > BTS642PET



Max. Absorption: 7,6 kW

