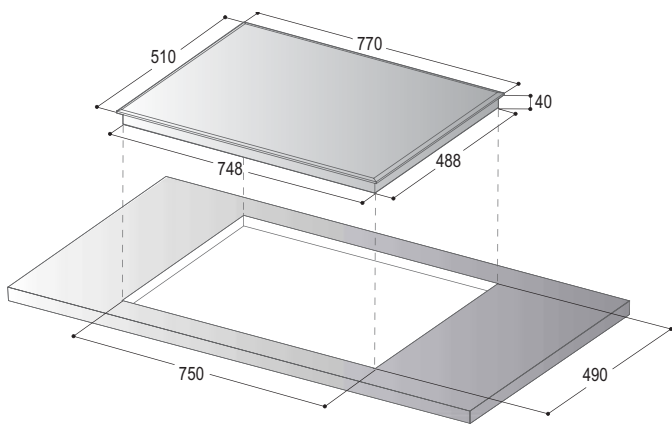


> BTG742PET



Max. Absorption: 7,3 kW

