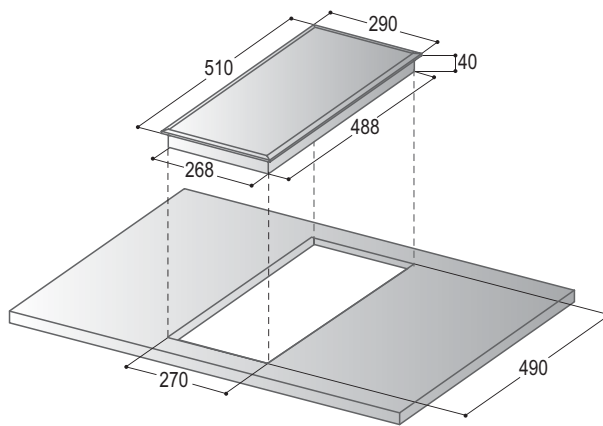


# > BTG310T



Max. Absorption: 1,4 kW

