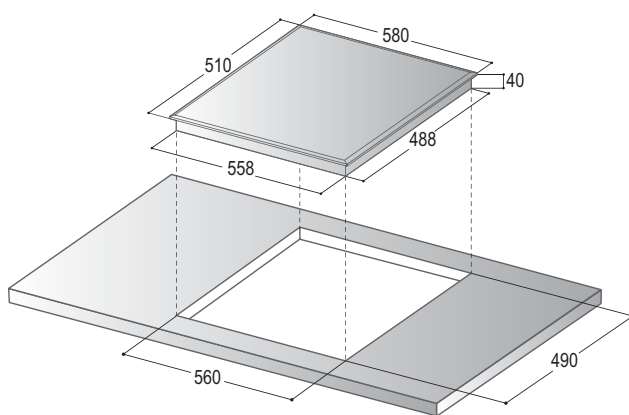


> BMR640



Max. Absorption: 6,0 kW

