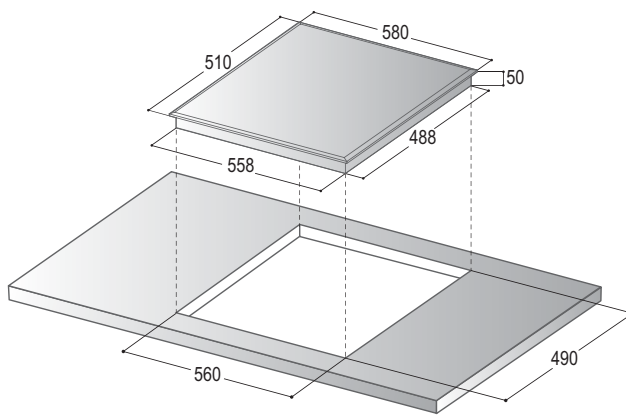


> BIM640



Max. Absorption: 7,2 kW

