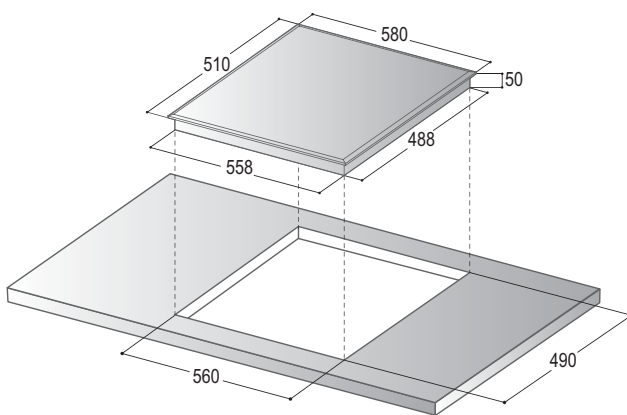
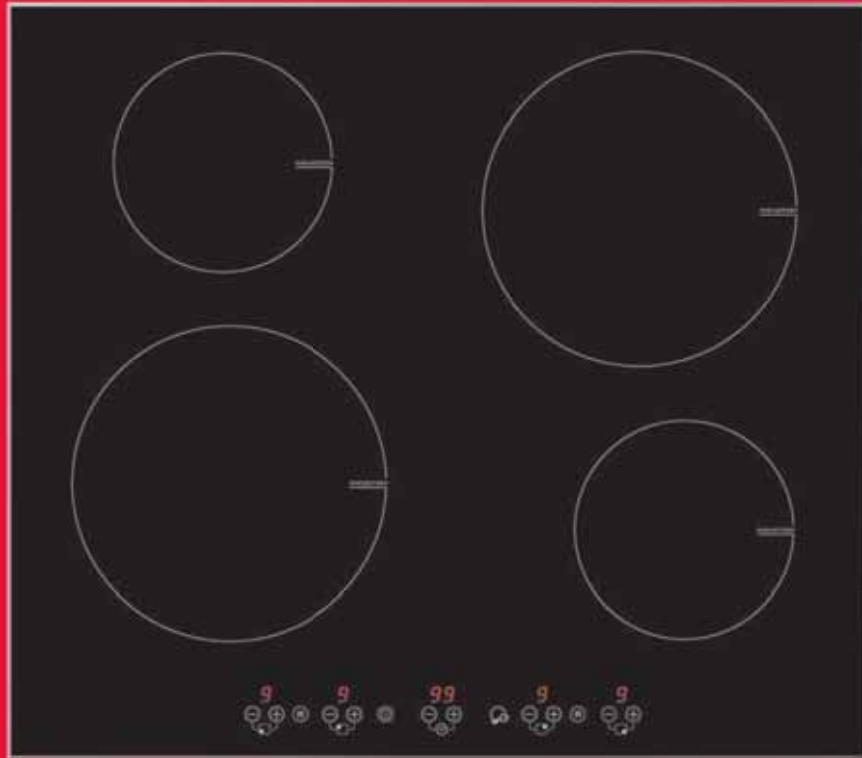


> BIL640T



Max. Absorption: 7,2 kW

