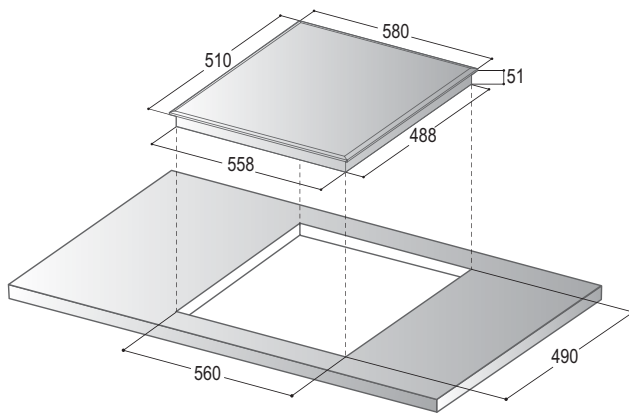


> BIB630



Max. Absorption: 6,0 kW

