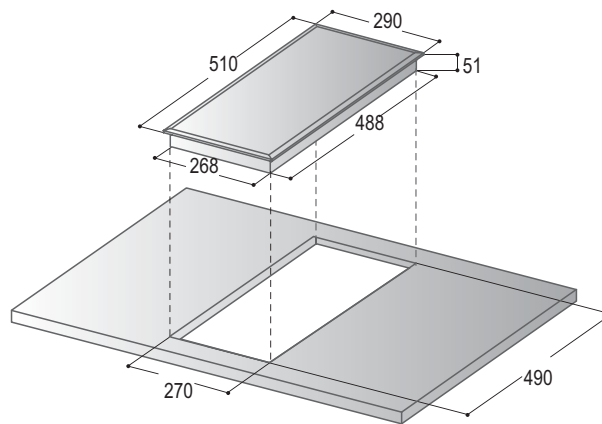


> BIB320T



Max. Absorption: 3,7 kW

