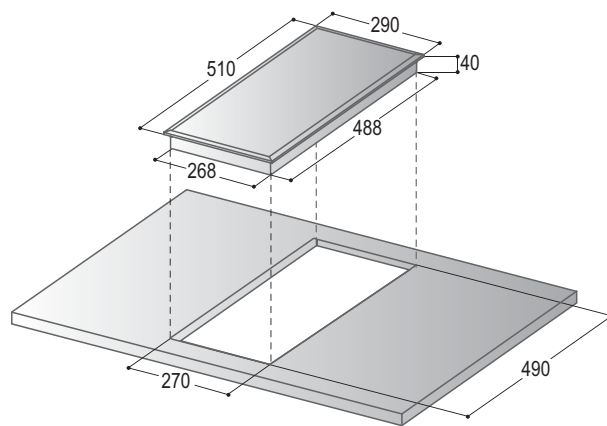


> BGR310



Max. Absorption: 1,4 kW

